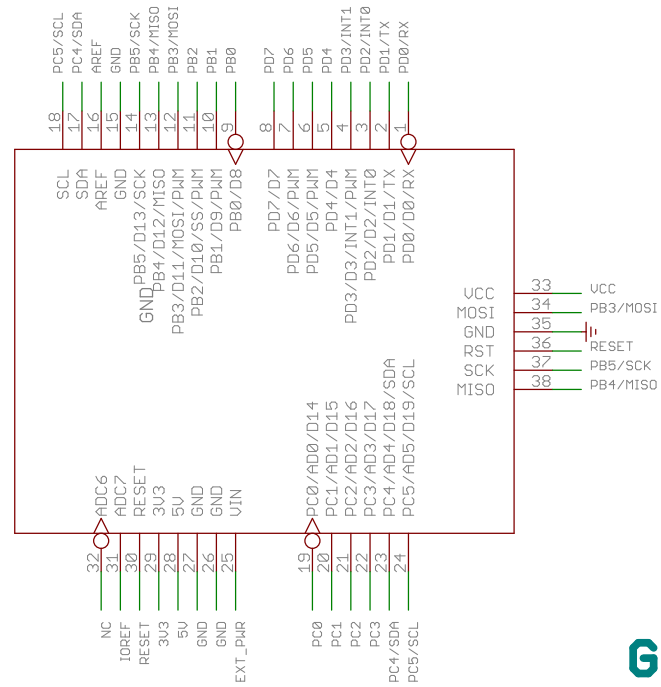
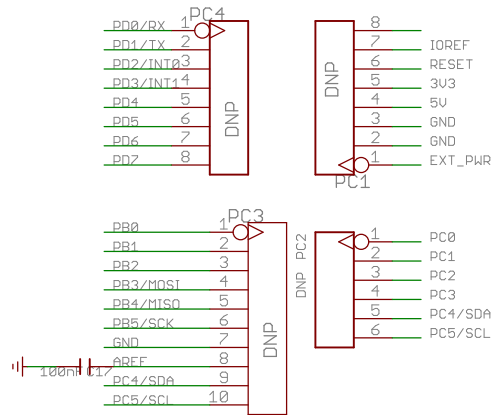
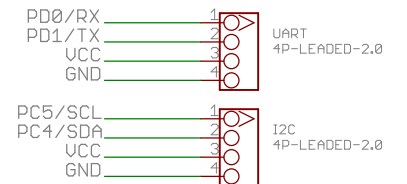


I/Os



Grove

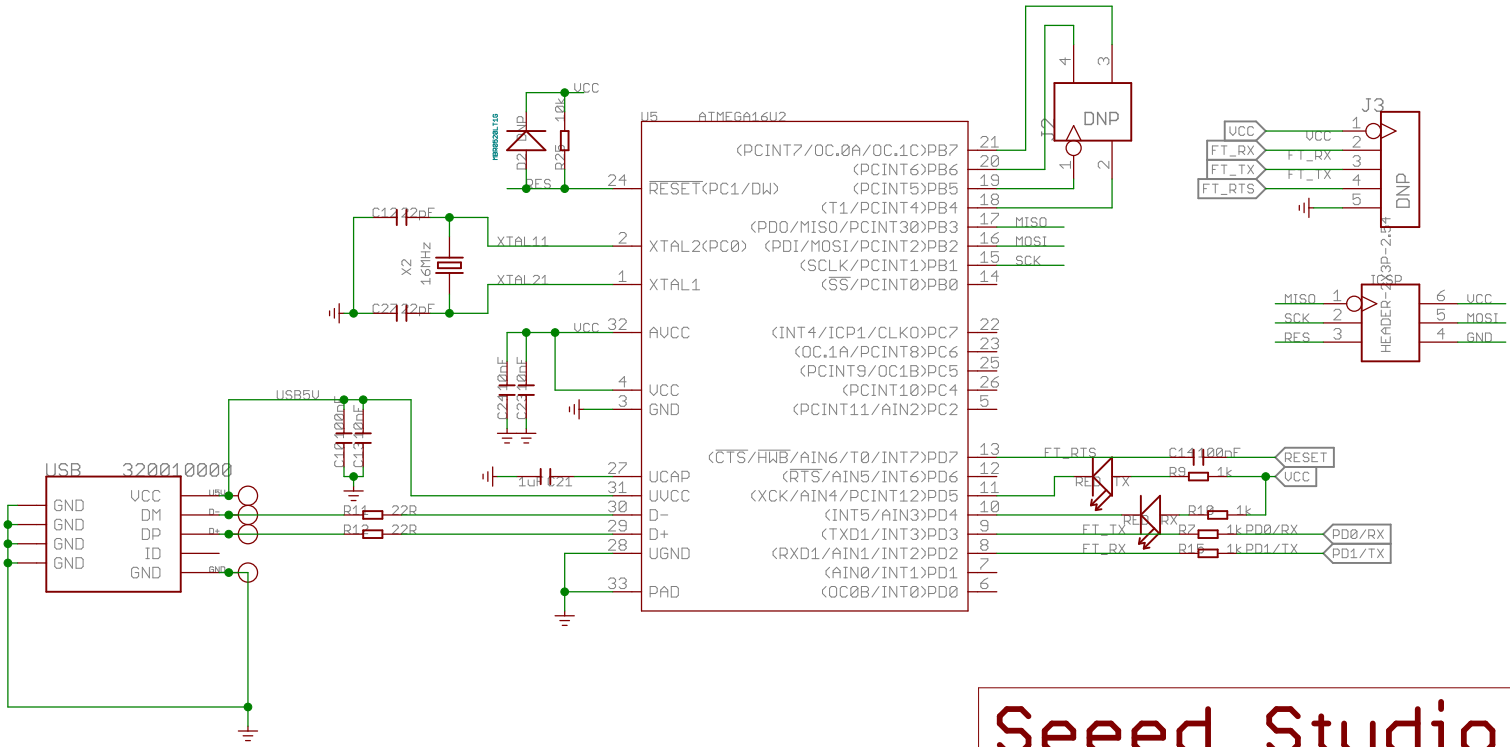


Seed Studio

TITLE: Seeduino v4.0

Design: Wangcf	Check: Bruce
Date: 2014/8/5 11:30:06	Vision: v4.0
Sheet: 1/2	

USB TO Uart

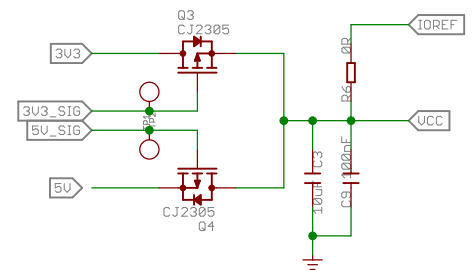
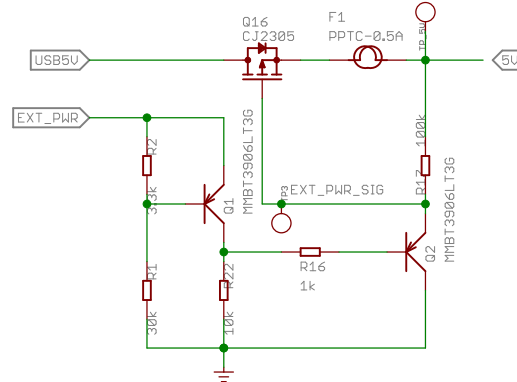
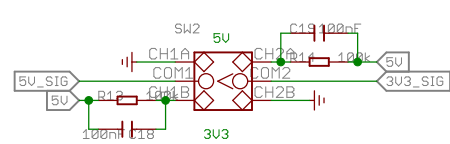
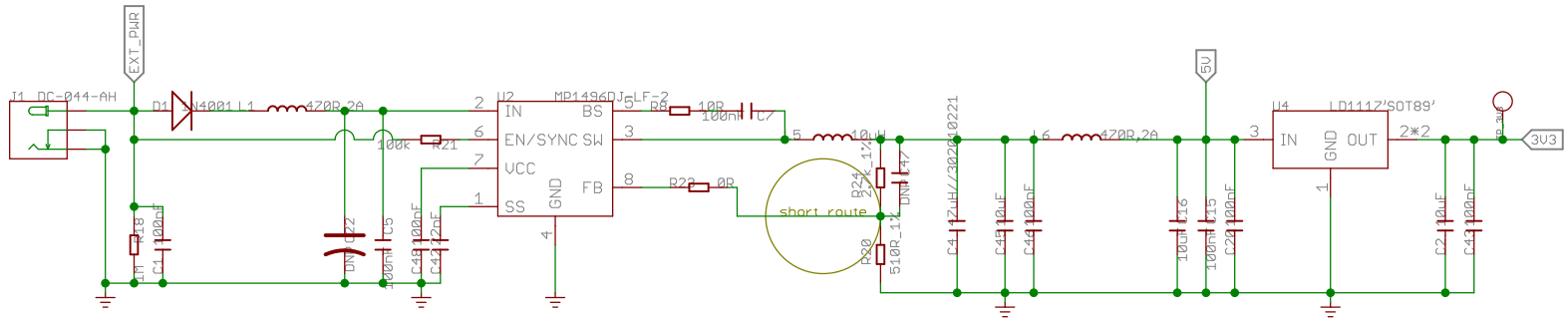


Seed Studio

TITLE: Seeduino v4.0

Design: Wangcf	Check: Bruce
Date: 2014/8/5 11:30:06	Vision: v4.0
Sheet: 1/2	

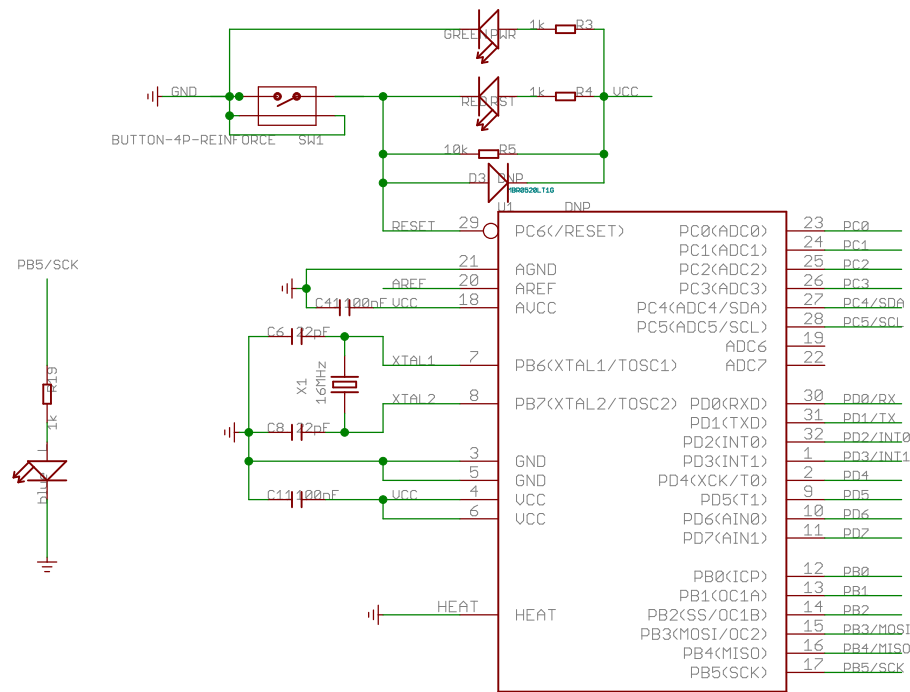
Power



Seeed Studio

TITLE: Seeduino v4.0		
Design: Wangcf	Check: Bruce	
Date: 2014/8/5 11:30:06	Vision: v4.0	Sheet: 1/2

MCU



23	PC0<ADC0>	23	pc0
24	PC1<ADC1>	24	pc1
25	PC2<ADC2>	25	pc2
26	PC3<ADC3>	26	pc3
27	PC4<ADC4/SDA>	27	pc4/SDA
28	PC5<ADC5/SCL>	28	pc5/SCL
19	ADC6	19	
22	ADC7	22	
30	PD0<RXD>	30	pd0/RX
31	PD1<TXD>	31	pd1/TX
32	PD2<INT0>	32	pd2/INT0
1	PD3<INT1>	1	pd3/INT1
2	PD4	2	pd4
9	PD5<T1>	9	pd5
10	PD6<AIN0>	10	pd6
11	PD7<AIN1>	11	pd7
12	PB0	12	pb0
13	PB1	13	pb1
14	PB2	14	pb2
15	PB3<MOSI/OC2>	15	pb3/MOSI
16	PB4<MISO>	16	pb4/MISO
17	PB5<SCK>	17	pb5/SCK
	PB6<XTAL1/TOSC1>		
	PB7<XTAL2/TOSC2>		
	PC6</RESET>		
	AGND		
	AREF		
	AVCC		
	GND		
	GND		
	VCC		
	VCC		
	HEAT		

Seeed Studio

TITLE: Seeeduino v4.0

Design: Wangcf

Check: Bruce

Date: 2014/8/5 11:30:06

Vision: v4.0

Sheet: 1/2