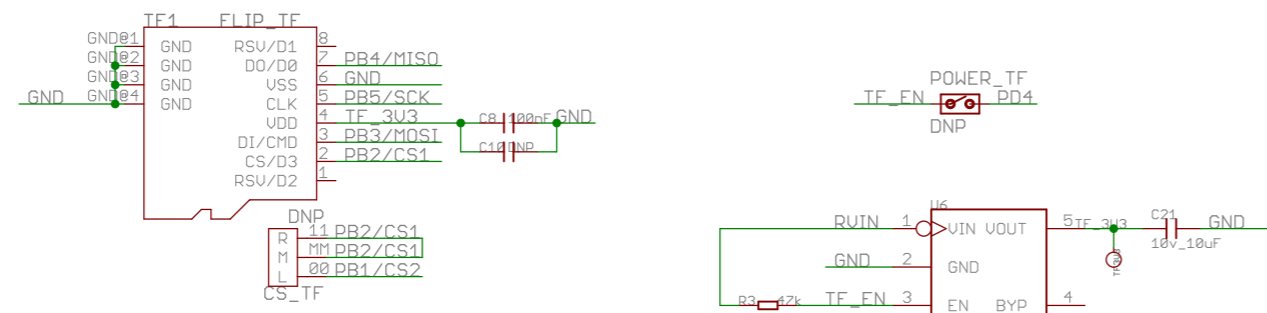
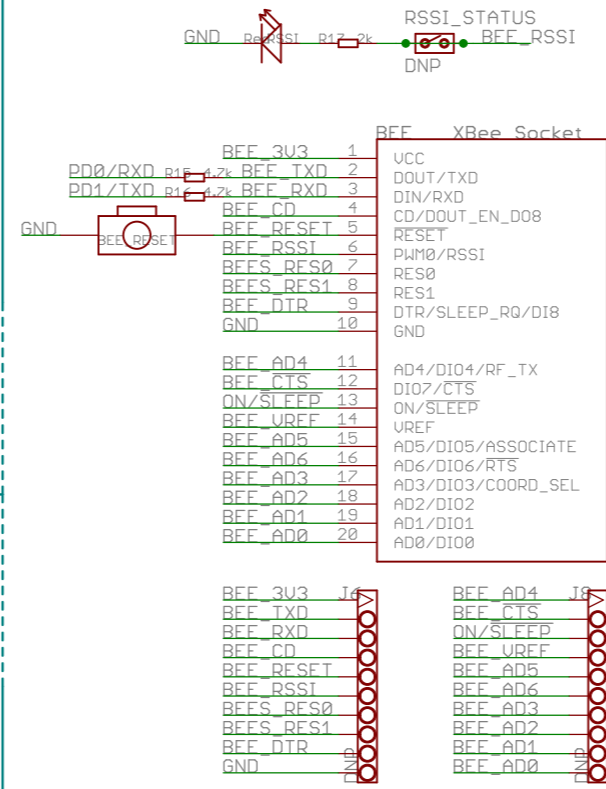


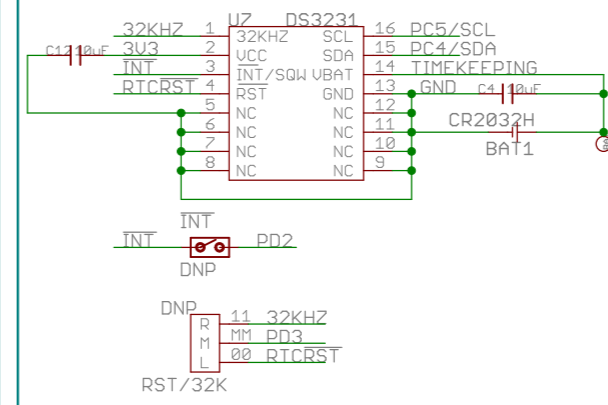
# TF



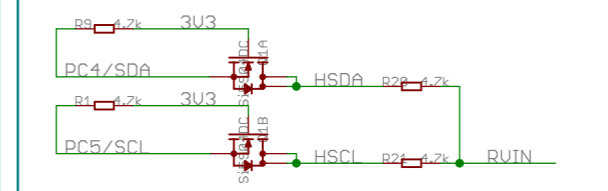
# Bee



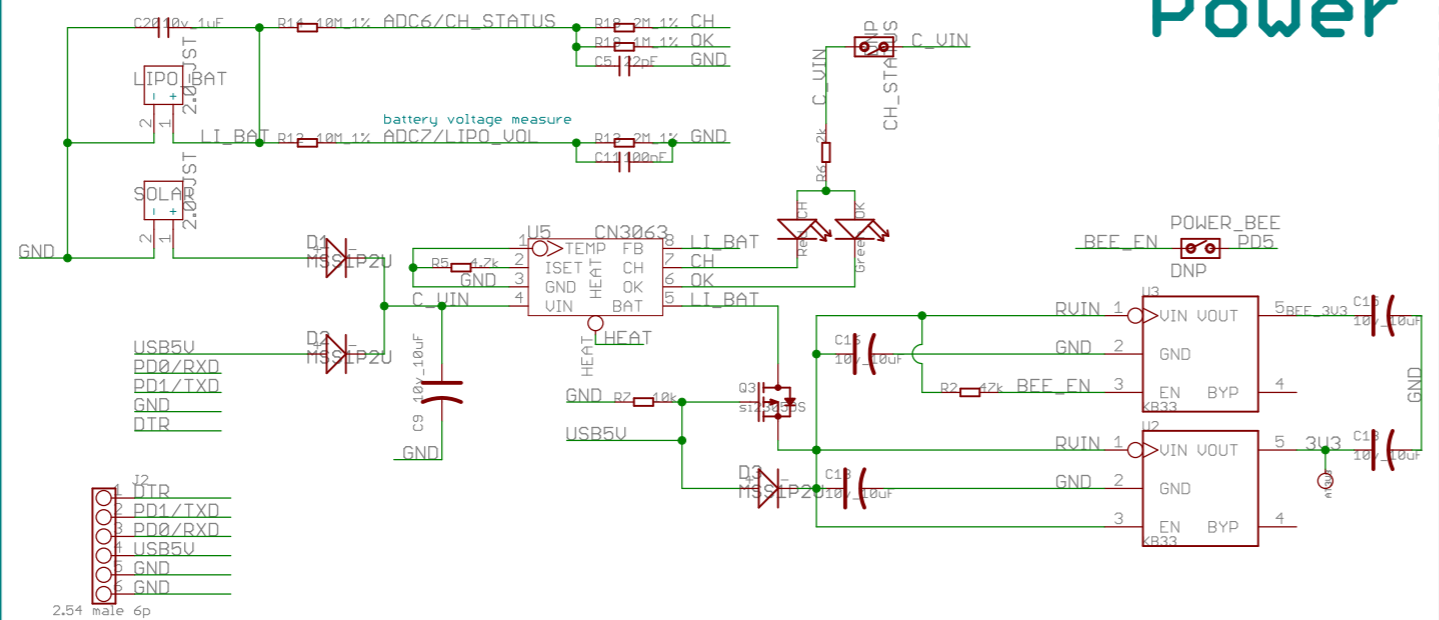
# RTC



# I2C



# Power



# Arduino

