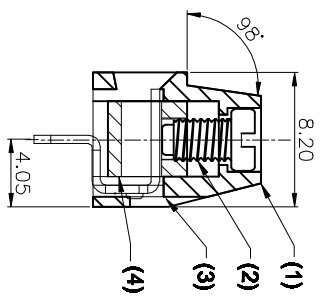
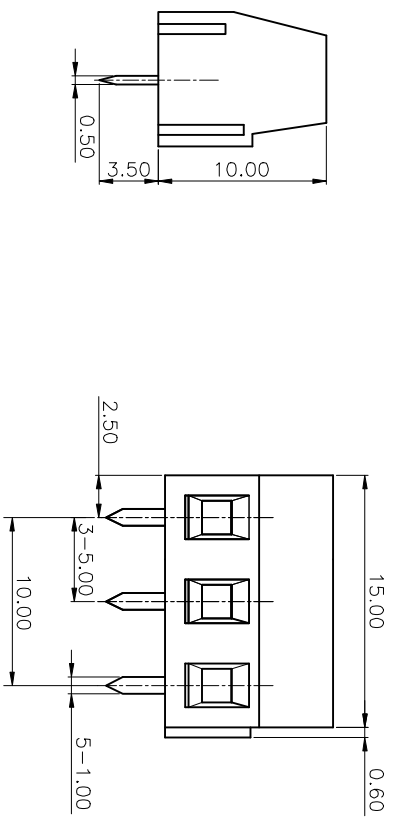
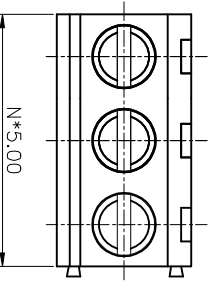


REV.	DESCRIPTION	DRAWN	CHECKED	APPROVED
A	NEW RELEASE	DGS 29/10/11'		



Notes:

.Electrical
Rated voltage : 300V
Rated current : 12A
Contact resistance:20mΩ
Insulation resistance:5000MΩ/DC1000V
Withstanding Voltage: AC2000V/1Min
Wire range: 26-14AWG 1.5mm²

.Mechanical
Temp.range:-40°C~+105°C
Torque: 0.4Nm(3.5Lb.in)
Strip length: 4.5-5mm

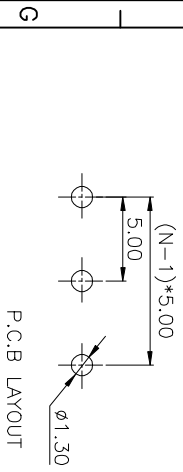
Product Number Code:
GS009S-5.0-XXP-X-XXX

Customer Request

Housing color
1:Green 6:Red
2:Blue 7:Transparent
3:Black 8:White
4:Grey 9:Yellow
5:Orange

No.of poles
5P

Series No.
GS009S-5.0



P.C.B LAYOUT

ITEM	NAME	QTY	PART.NO.	MATL.	NOTE
1	Housing	1		PBT UL94 V-0	Zinc plated
2	Screws M2.5	N		Steel C10 22	
3	Wire guard	N		Stainless steel	
4	Pin header	N		Brass	Tin plated

GENERAL TOLERANCE	ANGLE TOLERANCE
>120 ±0.50	X, ±3'
>30~120 ±0.30	.X, ±2'
>6~30 ±0.20	.XX, ±1'
0~6 ±0.10	

GOOSVN 宁波高胜电子有限公司
NINGBO GOOSVN ELECTRONIC CO.,LTD

DRAWING TYPE	CUSTOMER	SHEET	OF	PROJECTION	TITLE
SCALE	1:1	1	1	UNITS	mm
DRAWING NO.	GS009S-5.0-SP-X-XXX			SHEET SIZE	A4
				SERIES	GS009 SERIES
				SERIES	GS009 SERIES
					POB TERMINAL BLOCK
					PtCh: 5.00mm