

Specifications

Ordering Information

F185-11 06 A1 B SY C 1

备注 (Remark)

1. 材料 (MATERIAL)

胶芯: PA6T/PBT+30%G. F UL94V-0, 颜色: 白色.

Housing: PA6T/PBT+30%G. F UL94V-0, Color: Black

端子: 磷/青铜, 镍底30u"MIN, 表面镀金1u"MIN

Contact: Phosphor bronze, 1u"MIN GOLD PLATING OVER ALL
30u" MIN NICKEL UNDERPLATING OVER ALL

2. 特性 (characteristics):

额定电流: 3 AMP

Rating Current: 3 AMP.

接触阻抗: 20 mΩ MAX.

Contact Resistance: 20 mΩ MAX.

绝缘阻抗: 1000 MΩ MIN.

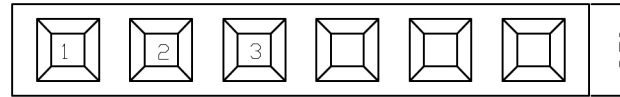
Insulating Resistance: 1000 MΩ MIN.

耐电压: AC 500V.

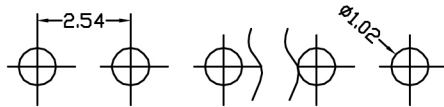
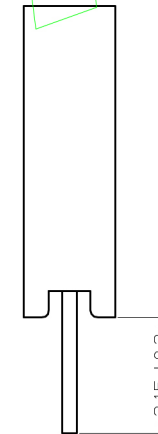
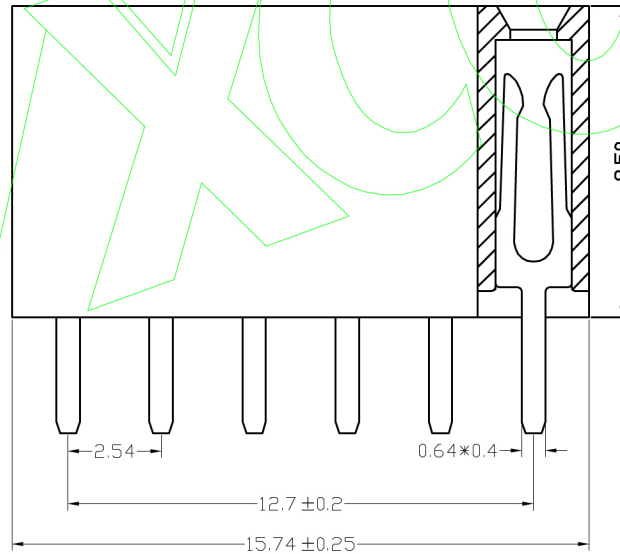
Withstanding Voltage: AC 500V.

温度范围: -40°C to +105°C

Temperture Range: -40°C to +105°C



NO. OF PINS PER ROW	Contact Plating		INSULATOR MATERIAL:	PACKING
1-40P	Full Of Gold	Semi-gold	A: PBT	A: PE Bag
	A0=0.8u"	B0=0.8U"	B: PA6T	B: Tape & Reel
	A1=1u"	B1=1U"	C: PA9T	C: Tube
	A2=1.5u"	B2=1.5U"	D: LCP	D: Tube+CAP
	A3=2u"	B3=2U"		E: Tray
	A4=3u"	B4=3U"		
	A5=5u"	B5=5U"		
	A6=10u"	B6=10U"		
	A7=15u"	B7=15U"		
	A8=20u"	B8=20U"		
	A9=30u"	B9=30U"		
	S1=Ordinary Tin Plated			
	S2=Matte Tin Plated			
	S3=Tin-plated High-temperature			



OPERATION		SCALE		Fit		Yxcon 东莞市宇熙精密连接器有限公司	
X.X	±0.25	UNIT		MM		Dongguan Yuxi Electronic Co., Ltd.	
X.XX	±0.20	SIZE	A4	DESIGN	丘康乐	PART NO.	F185-1106A1BSYC1
X.XXX	±0.10	SHEET	1/1	CHECK		TITLE:	2.54mm 单排母 塑高8.5 180度 1*6P Y型 黑色
Angle	±3°	PROJ.	☉	APPROVE		Customer No.	
DIM	TOL						
REV	DATE	MODIFICATION DESCRIPTION		CHANGE	APPROVE		