

深圳市成光兴实业发展有限公司

PRODUCT SPECIFICATION

Part No: CX-G302DC (3MM 绿发绿短脚)

Descriptions:

- ◆ 3mm Standard Type
- ◆ Emitting Color: Green

CUSTOMER APPROVED SIGNATURES	APPROVED BY	CHECKED BY	PREPARED BY



地址：深圳市宝安区龙华镇上油松工业新村

电话：0755-61306760 传真：0755-82534605

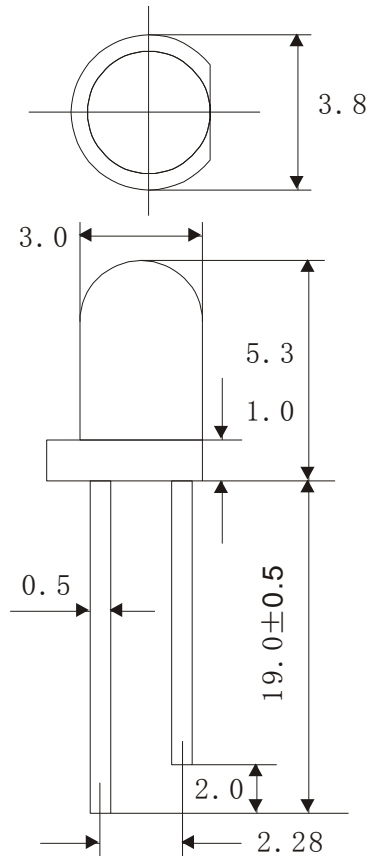
Part No	CX-G302DC	Spec No	S/N 060823019/A	Page	- 1 -
---------	-----------	---------	-----------------	------	-------

Version: 1.0

Features:

- ◆ Standard T-1 diameter package
- ◆ General purpose leads
- ◆ Reliable and rugged

Package Dimensions:



Part NO.	CHIP Material	Colloid Color	Colloid Material
CX-G302DC	GaAsP	Green	Epoxy

Notes:

- 1、all dimensions in mm tolerance is ± 0.2 mm unless otherwise noted.
- 2、an epoxy meniscus may extend about 1.5mm down the leads.
- 3、burr around bottom of epoxy may be 0.5mm max.

Part No	CX-G302DC	Spec No	S/N 060823019/A	Page	- 2 -
---------	-----------	---------	-----------------	------	-------

■ Absolute Maximum Ratings (Ta = 25°C)

Parameter	Symbol	Absolute maximum Rating	Unit
Max Power Dissipation	P_M	80	mW
Max Continuous Forward Current	I_{FM}	20	mA
Max Reverse Voltage	V_{RM}	5	V
Peak Forward Current	I_{FP}	75	mA
Lead Soldering Temperature/Time	T_{SOL}	240/≤3S	°C/S
Operating Temperature Range	T_{OPR}	-25~+85	°C
Storage Temperature Range	T_{STR}	-30~+100	°C

■ Typical Electrical & Optical Characteristics(Ta=25°)

Parameter	Symbol	Min.	Typ.	Max.	Unit	Condition
Luminous Intensity	I_v	120	150	200	mcd	$I_F=20mA$
Viewing Angle	2Ø1/2	/	40	/	deg	$I_F=20mA$
Peak Wave Length	λ_p	/	572	/	nm	$I_F=20mA$
Dominant Wave Length	λ_d	570	/	575	nm	$I_F=20mA$
Spectral Width at half height	$\Delta \lambda$	/	30	/	nm	$I_F=20mA$
Forward Voltage	V_F	2.0	2.2	2.4	V	$I_F=20mA$
Reverse Current	I_R	/	/	≤30	µA	$V_R=5V$

Notes:

- 1、 Through aging experiment certificate:This LED at normal work under condition:Then $I_F=20$ mA, $V_F=2.5$ V, the service life is 3-100,000 hours.
- 2、 Press anti-electrostatic weld an operation(connect a ground of line,wear static electricity wreath and wear a pure cotton finger set).
- 3、 The LED product that our company provide can order to do according to customer's need, the related technique parameter will take place variety, the detailed circumstance please consult with a relevant personnel of my company.

Part No	CX-G302DC	Spec No	S/N 060823019/A	Page	- 3 -
---------	-----------	---------	-----------------	------	-------