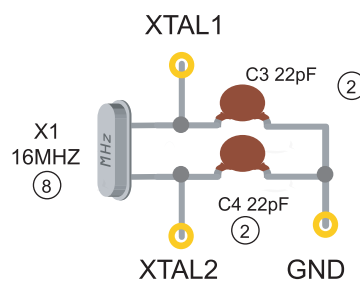
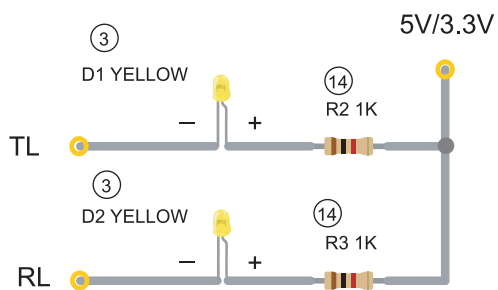
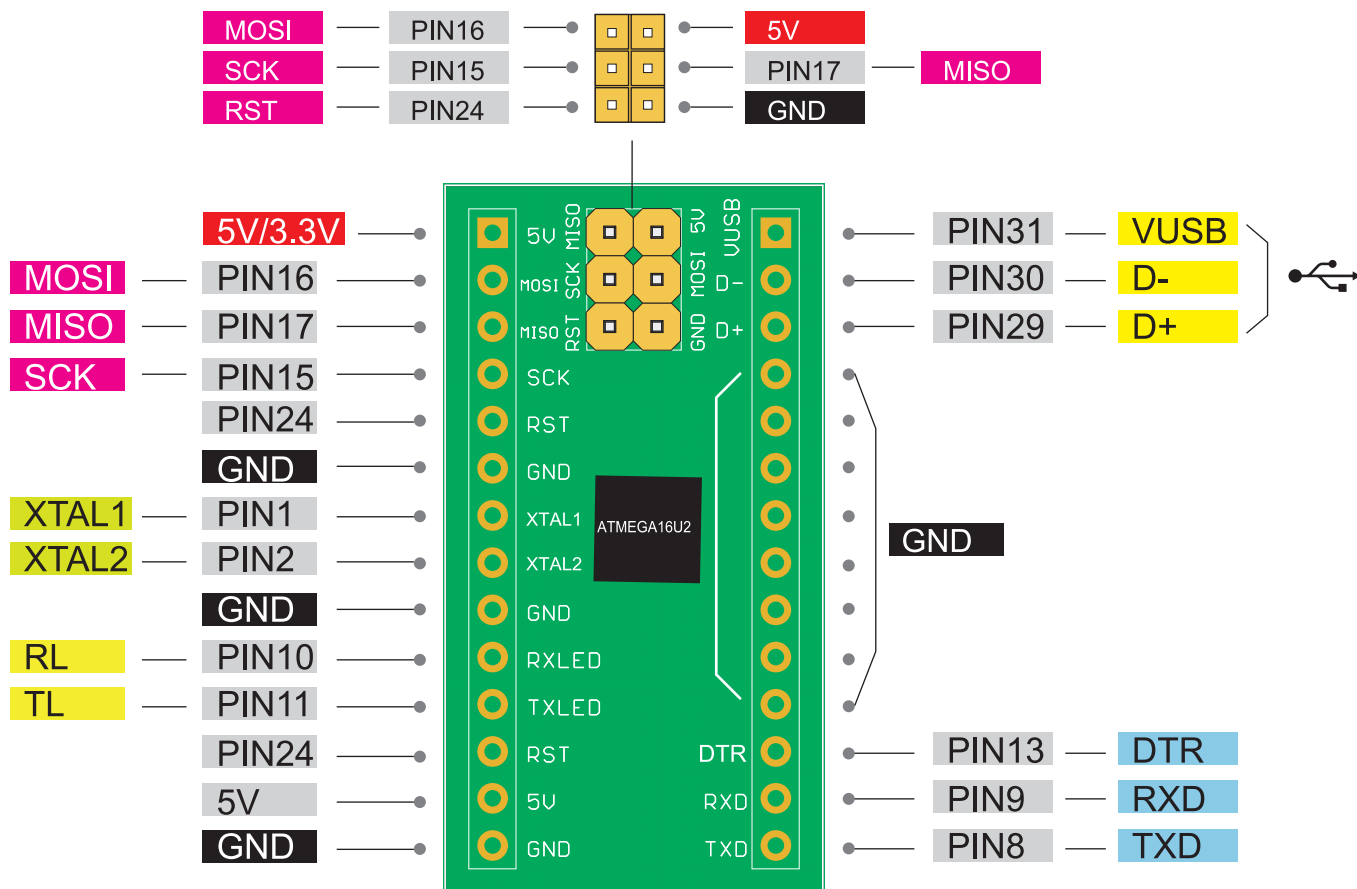
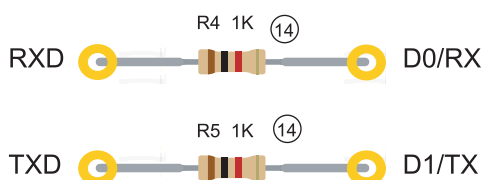


UNO: USB to Serial

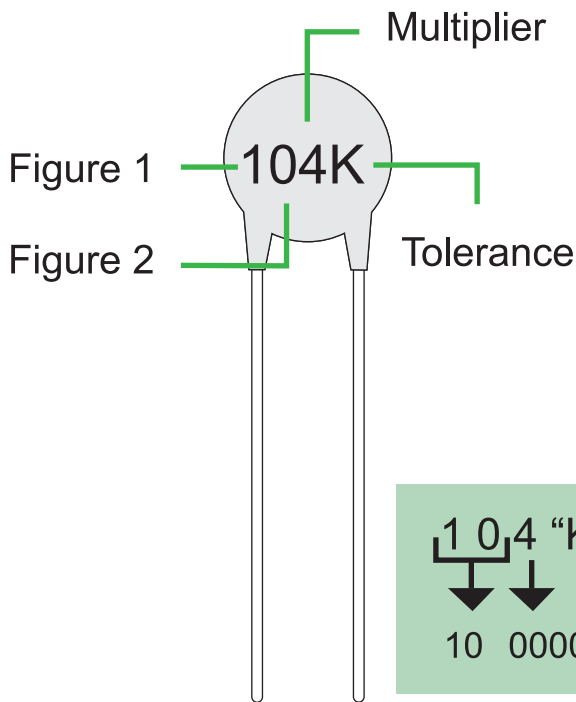


Oscillator: This parts must be connected to 16U2 for providing a stable clock signal

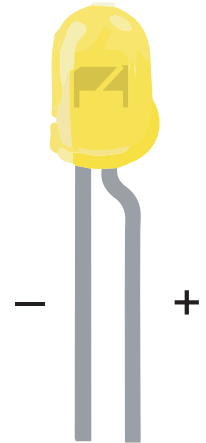


Connect to 328p
Bridge between 16U2 & 328P
To flash the MCU with UART,
16u2 should be connected to 328P.

Ceramic Capacitor



LED Polarity



1 0 4 "K" = ±10%
 ↓ ↓
 10 0000pF=100000pF=100nF

VALUE (F1 & 2)	MULTIPLIER	LETTER	TOLERANCE
0	1	B	± 0.1pF
1	10	C	± 0.25pF
2	10 ²	D	± 0.5pF
3	10 ³	F	± 1%
4	10 ⁴	G	± 2%
5	10 ⁵	H	± 3%
6	N/A	J	± 5%
7	N/A	K	± 10%
8	0.01	M	± 20%
9	0.1	Z	± 80%/-20%