

規格承認書

PECIFICATION FOR APPROVAL

客 戶
CUSTOMER : 矽递科技
項 目
ITEM : 电磁有源一体蜂鸣器 (内含驱动电路)
型 號
TYPE : GDPB-1265-85-3-032
描述
DESCRIPTION : $\phi 12 \times H6.5 \text{ mm}$ 2700Hz DC3V $\geq 85\text{DB}$ PPO 材质 P=7.6mm
客戶料號
CUSTOMER NO. :
規 格 書 號
SPECIFICATION NO.:
版 本
EDITION NO. : V1.0
日 期
DATE : 2014-6-18

客戶承認

CUSTOMER CONFIRM AND SIGN

檢 查 TESTED BY	審 核 CHECKED BY	承 認 APPROVED BY

深 圳 市 廣 吉 星 電 子 有 限 公 司

SHENZHEN GUANGJIXING ELECTRONI CO.,LTD

制 作 ISSUED BY	審 查 CHECKED BY	確 認 APPROVED BY
李洪裕	宁其美	方海兵

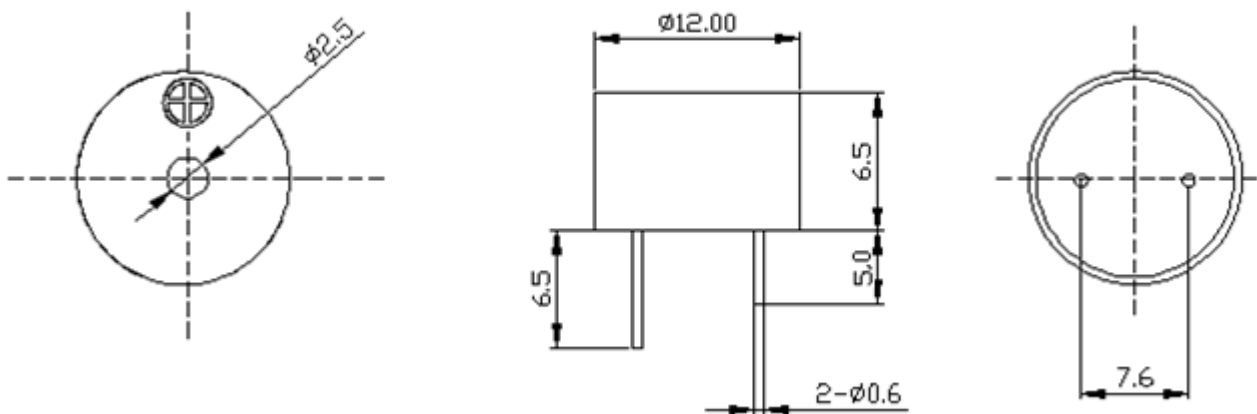
地址：广东省深圳市松岗镇大田洋龙门工业区 C 栋

电话 / TEL: 0755-82840609 13923852486 传真 / FAX: 055-27533158

SHENZHEN GUANGJIXING ELECTRONI CO.,LTD

Model NO: GDPB-1265-85-3-032

DIMEMSIONS: Unit:mm Tolerance: ± 0.5 mm

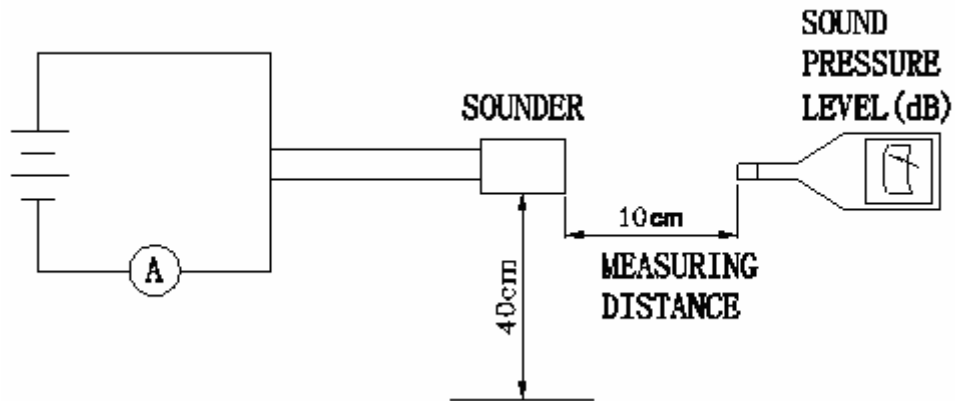


SPECIFICATIONS:

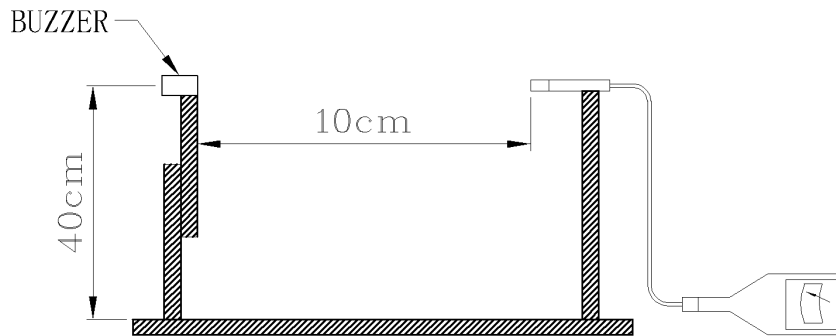
Model NO	GDPB-1265-85-3-032
Rated Voltage	3VDC
Operating Voltage	1.5~5.0VDC
Max.Rated Current	Max.30mA
Sound Pressure level(dB/min)at5DVC/10cm	Min 85dB
Resonant Frequency	2700 \pm 300Hz
Operating Temperature	-20 $^{\circ}$ C ~ +70 $^{\circ}$ C
Storage Temperature	-30 $^{\circ}$ C ~ +80 $^{\circ}$ C

Acoustic Characteristics:

The oscillation frequency, current consumption and sound pressure are measured by the measuring instruments shown below



In the measuring test, buzzer is placed as follows:



Reliability Test

After any following tests the part shall meet specifications without any degradation in appearance and performance except SPL. SPL shall not deviate more than -10 dB from the initial value

1. Ordinary Temperature Life Test

The part shall be subjected to 96 hours at $25 \pm 10^\circ\text{C}$. Input rated voltage Resonant frequency, 1/2 duty Square wave.

2. High Temperature Test

The part shall be capable of with standing a storage temperature of $+80^\circ\text{C}$ for 96 hours.

3. Low Temperature Test

The part shall be capable of with standing a storage temperature of -30°C for 96 hours.

4. Humidity Test

Temperature: $+40^\circ\text{C} \pm 3^\circ\text{C}$ Relative Humidity: 90%~95% Duration: 48 hours and expose to room temperature for 6 hours

5. Temperature Shock Test

Temperature: 70°C /1hour → 25°C /3hours → -30°C /1hour → 25°C /3hours (1cycle)
Total cycle: 10 cycles

6. Drop Test

Standard Packaging From 120mm (Drop on hard wood or board of 5cm thick, three sides, six plain.)

7. Vibration Test

Vibration: 1000cycles /min. Amplitude: 1.5mm, Duration: 1 hour in each 3 axes

Note:

As this product is not protected from foreign material entering, please make sure that any foreign materials (e.g. magnetic powder, washing solvent, flux, corrosive gas) do not enter this product in your production processes. The functional degradation (e.g. SPL down) may occur if foreign material enter it.