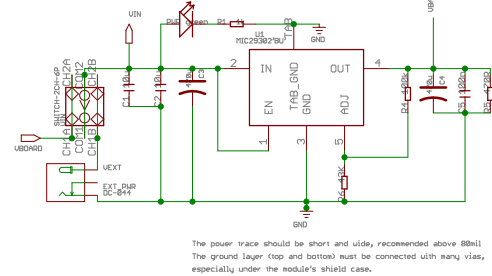
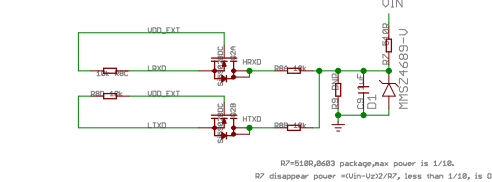


### power supply



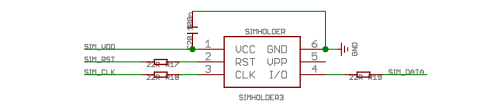
The power trace should be short and wide, recommended above 80mil  
The ground layer (top and bottom) must be connected with many vias, especially under the module's shield case.

### Uart voltage level shift

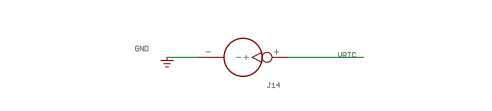


R7=6180,6883 package, max power is 1/18.  
R7 disappear power <math>0.01m \times 0.22/0.07</math>, less than 1/18, is OK

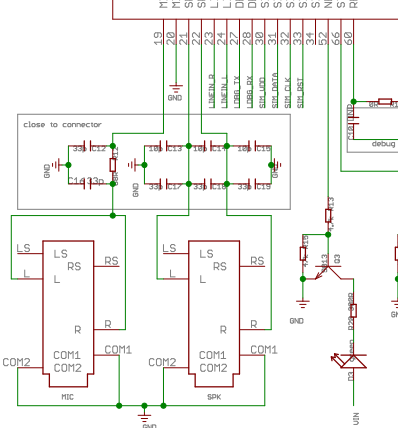
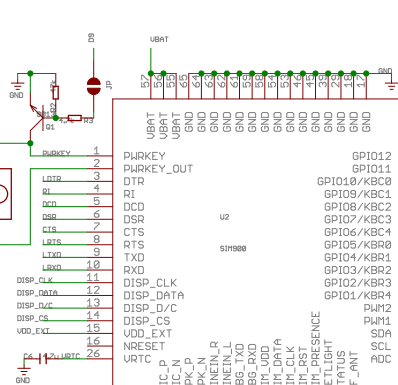
### SIM card holder



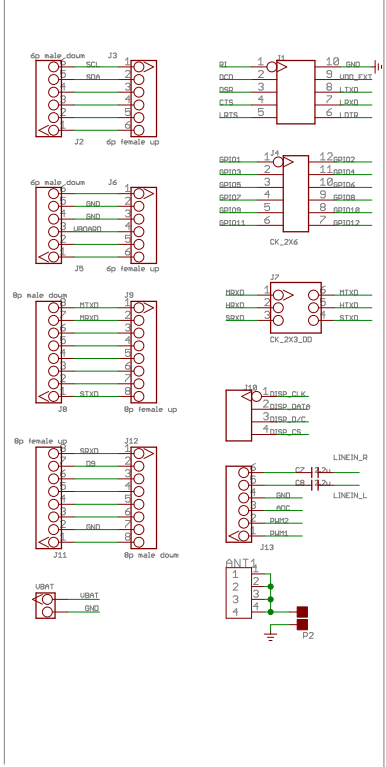
### RTC battery



### GPRS module



### connector



# SeeedStudio

TITLE: GPRS Shield

Design:

Check:

Change Note:

Date: 2012/06/24

Vision: 1.4

Sheet: 1/1